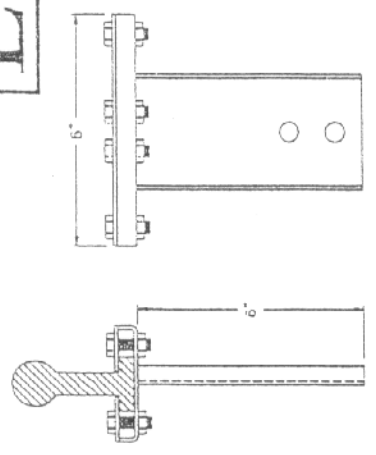


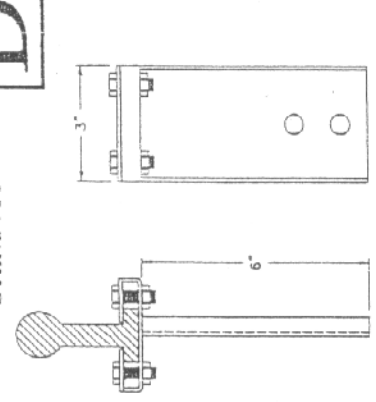
E

SPLICE
& STANDOFF



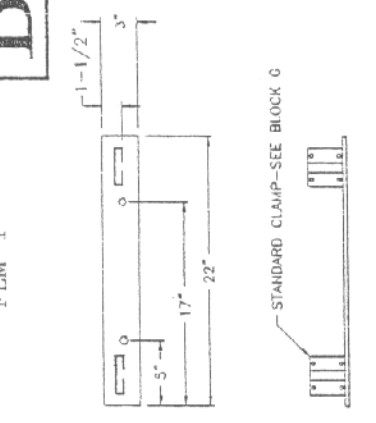
D

INTERMEDIATE
STANDOFF



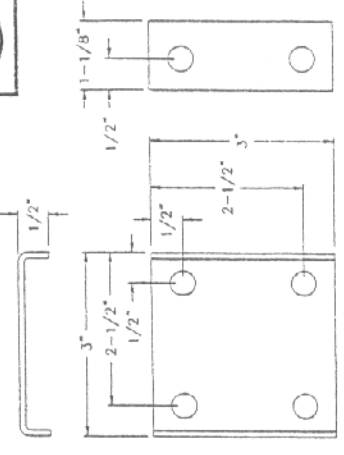
B

FLOOR MOUNT
FLM-1



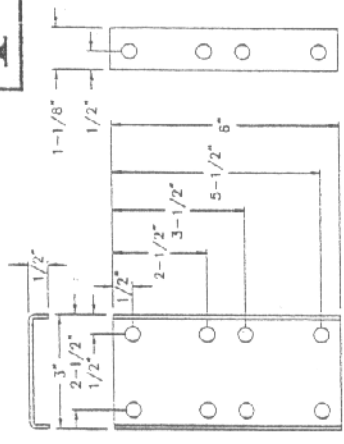
G

STANDARD CLAMP
& TOP PLATE



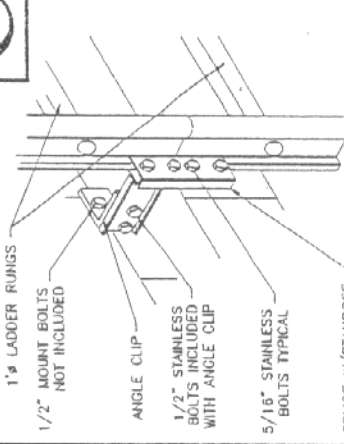
F

SPLICE CLAMP
& TOP PLATE



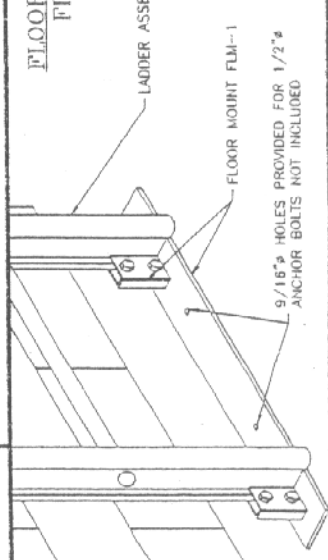
C

SPLICE CLAMP
W/ STANDOFF



A

FLOOR MOUNT
FLM-1



CLIMBER'S BUDDY/SUR-LOC, INC.
P.O. BOX 750 FRENCH, IN 45737 - (219) 493-0085

THIS DRAWING IS THE PROPERTY OF CLIMBER'S BUDDY-SUR LOC, INC.
IT IS NOT TO BE REPRODUCED, COPIED, OR TRACED IN WHOLE, OR
IN PART WITHOUT OUR WRITTEN CONSENT

STANDARD DRAWING	SCALE NONE	OWN D. REYES
TITLE	FIBERGLASS LADDER ASSEMBLY & COMPONENTS	
DATE 03/08/00	DRAWING NUMBER S007-00-011	