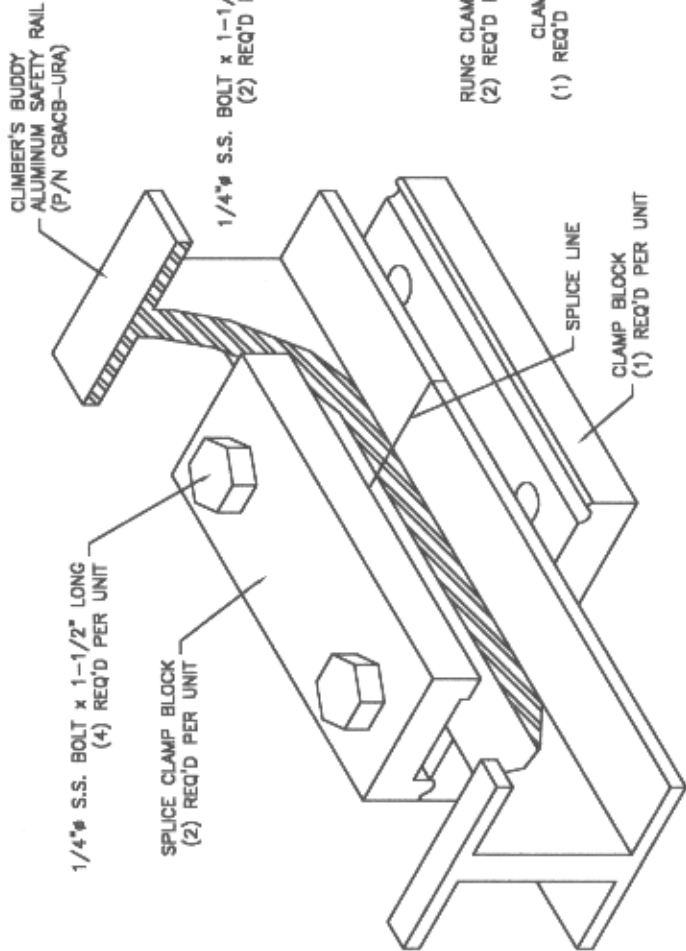
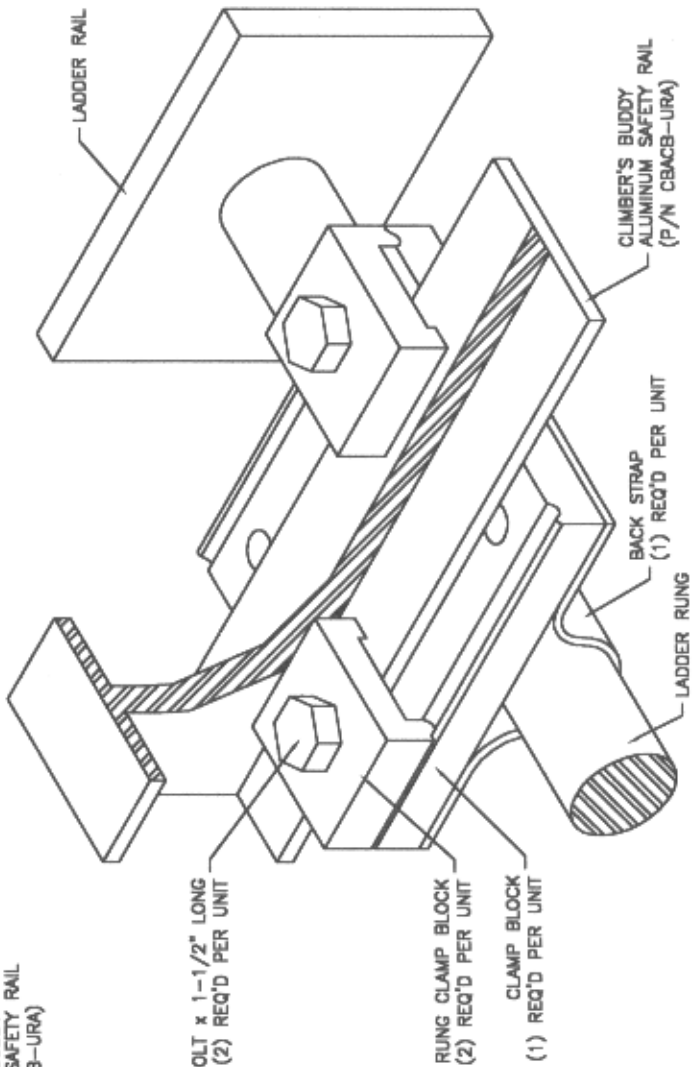


LET	REVISION	DATE	APP'D
-	INITIAL RELEASE	06/28/80	B.S.
A	REDRAWN IN AUTOCAD R13	01/31/96	B.S.



**SPLICE CLAMP ASSEMBLY**  
(P/N CBACB-S3)



**RUNG CLAMP ASSEMBLY**  
(P/N CBACB-RC)

CLIMBER'S BUDDY/SUR-LOC, INC. <small>P.O. BOX 750 FRENCHT, N. 46757 - (319) 488-1088</small>	
<small>THIS DRAWING IS THE PROPERTY OF CLIMBER'S BUDDY-SUR-LOC, INC. IT IS NOT TO BE REPRODUCED, COPIED, OR TRACED IN WHOLE, OR IN PART WITHOUT OUR WRITTEN CONSENT.</small>	
TYPICAL ASSEMBLIES	SCALE FULL
OWN J.NEFF	APP'D
<b>ALUMINUM SAFETY RAIL</b>	
DATE 06/16/00	DRAWING NUMBER S048-00-1LM
REVISED:	DATE: