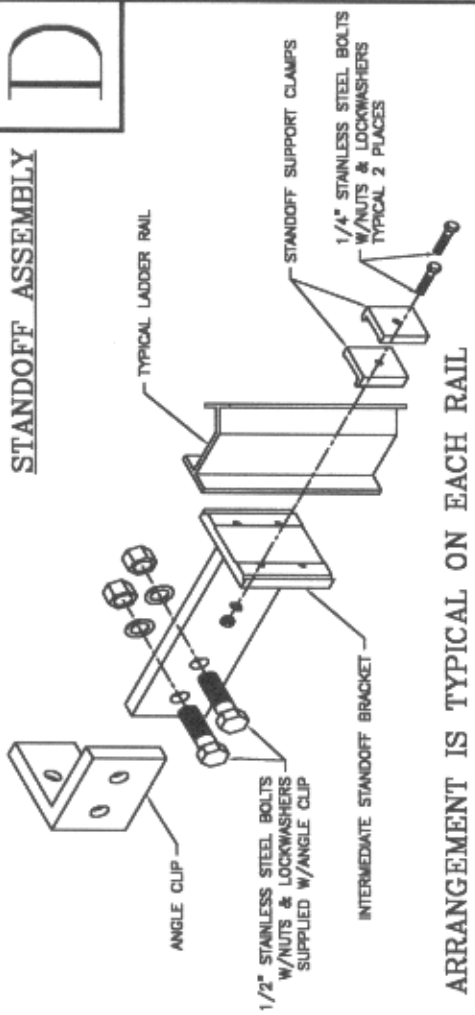


STANDOFF ASSEMBLY

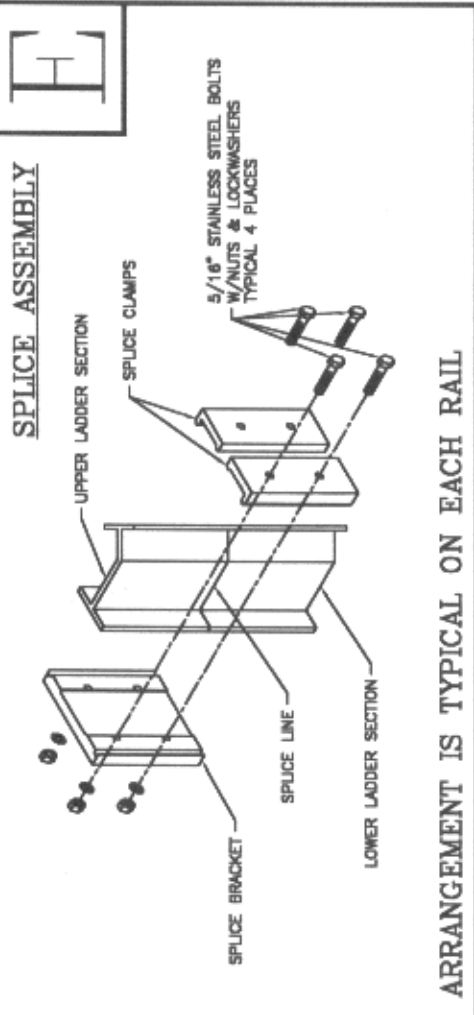
D



ARRANGEMENT IS TYPICAL ON EACH RAIL

SPLICE ASSEMBLY

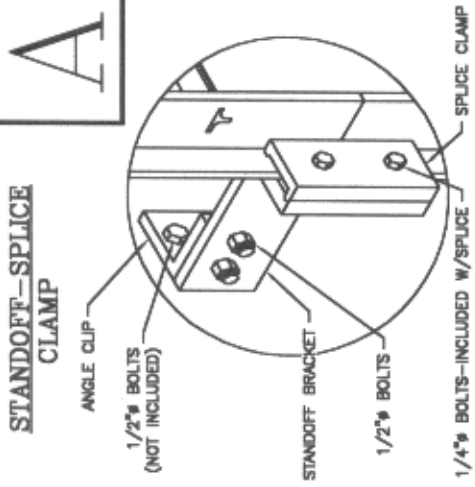
E



ARRANGEMENT IS TYPICAL ON EACH RAIL

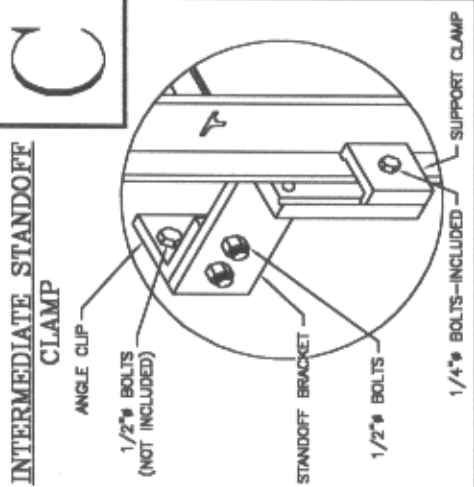
STANDOFF-SPLICE CLAMP

A



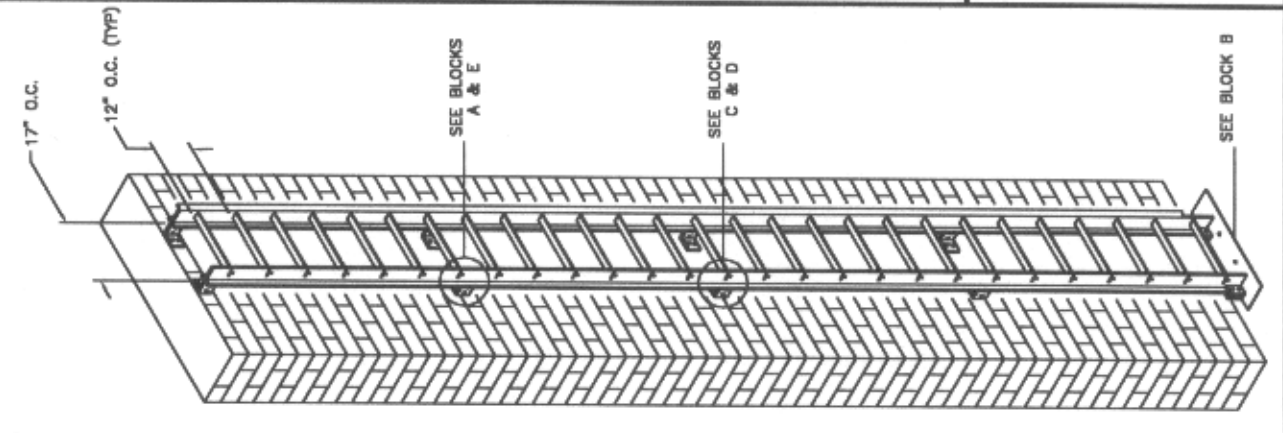
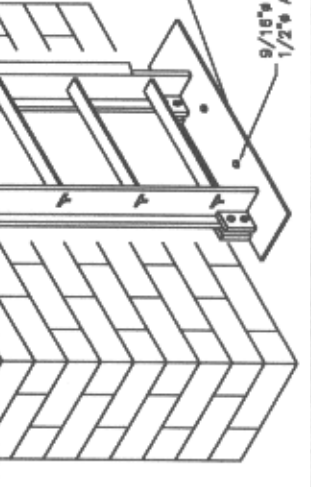
INTERMEDIATE STANDOFF CLAMP

C



FLOOR MOUNT

B



CLIMBER'S BUDDY/SUR-LOC, INC.
P.O. BOX 780 FREMONT, N.J. 07643

THIS DRAWING IS THE PROPERTY OF CLIMBER'S BUDDY-SUR-LOC, INC. IT IS NOT TO BE REPRODUCED, COPIED, OR TRACED IN WHOLE OR IN PART WITHOUT OUR WRITTEN CONSENT.

STANDARD DRAWING	SCALE	DWN	APP'D
	N.T.S.	D. REYES	D. SWAGER

TITLE
ALUMINUM SAFETY LADDER ASSEMBLY & COMPONENTS

DATE
03/02/00

DRAWING NUMBER
S004-00-01L