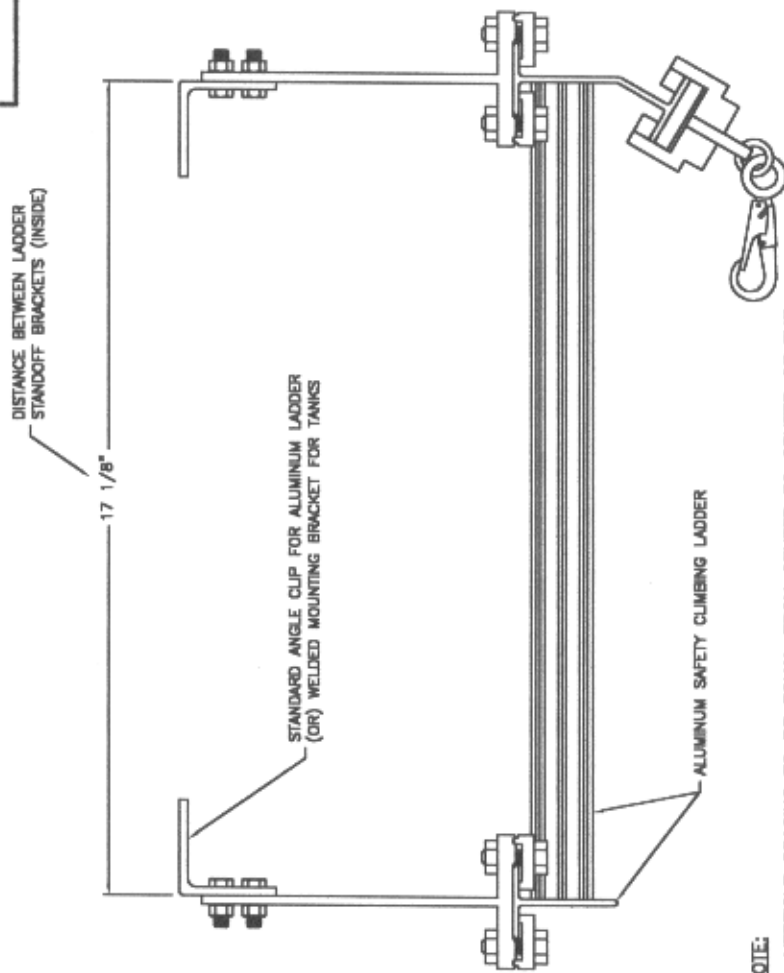


D

**ALUMINUM CLIMBING LADDER ASSEMBLY
(DISTANCE BETWEEN STANDOFFS)**

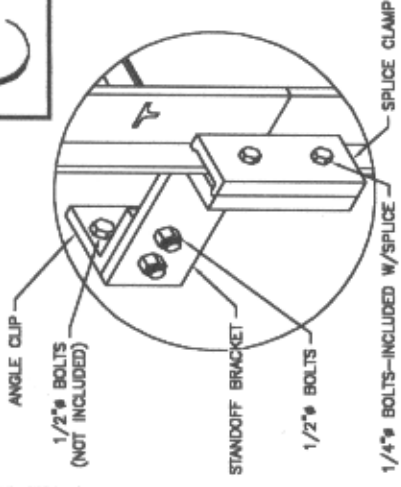


NOTE:
VERTICLE SPACING TO BE EQUAL FROM CENTER TO CENTER OF THE LADDER STANDOFFS AND ALSO FROM LADDER STANDOFF TO LADDER SPUCE. (SEE THE LADDER DETAIL ASSEMBLY IN THE UPPER LEFT CORNER)

CLIMBER'S BUDDY/SUR-LOC, INC. <small>P.O. BOX 750 REYNOL, N. 48737 - (218) 488-6868</small>	
<small>THIS DRAWING IS THE PROPERTY OF CLIMBER'S BUDDY-SUR LOC, INC. IT IS NOT TO BE REPRODUCED, COPIED, OR TRACED IN WHOLE OR IN PART WITHOUT OUR WRITTEN CONSENT</small>	
STANDARD DRAWING	SCALE N.T.S.
APP'D D. SWAGER	OWN D. REYES
TITLE ALUMINUM SAFETY LADDER INSTALLATION DRAWING	
DATE 11/15/01	DRAWING NUMBER S004-01-01LB

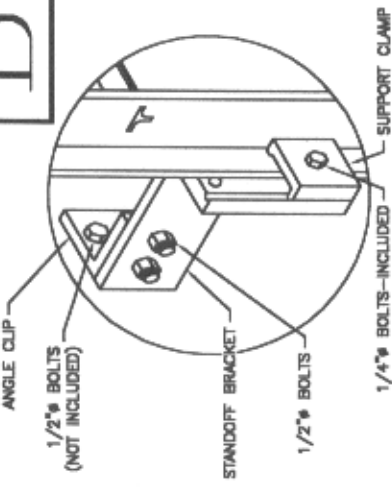
C

STANDOFF--SPLICE CLAMP



B

INTERMEDIATE STANDOFF CLAMP



A

**FLOOR MOUNT
FLM-2**

